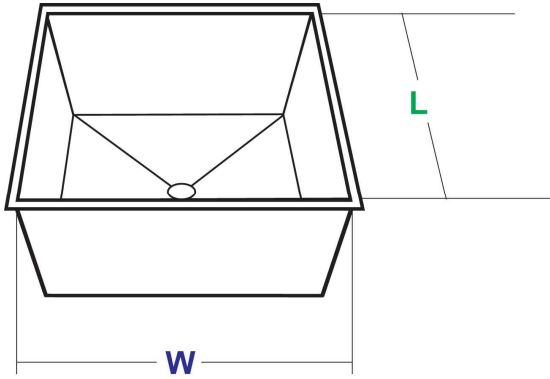




GALLONS PER INCH CALCULATION FOR SINKS



US GAL	CUBIC INCH
4 gal.	= 924
7.5 gal.	= 1,732.5
8 gal.	= 1,848
10 gal.	= 2,310
16 gal.	= 3,696
20 gal.	= 4,620

Measure the **W** dimension and enter it here: _____ inches

Measure the **L** dimension and enter it here: _____ inches

Calculate area **A** of sink bottom by multiplying W x L:

$$\underline{\quad\quad\quad}^{\mathbf{W}} \times \underline{\quad\quad\quad}^{\mathbf{L}} = \underline{\quad\quad\quad}^{\mathbf{A}} \text{ square inches}$$

Divide required volume, from chart above, by the area **A** of the sink bottom to determine required depth:

$$\frac{\underline{\quad\quad\quad}^{\text{cubic inches from chart above}}}{\underline{\quad\quad\quad}^{\text{"A" area in square inches}}} = \text{depth "D" in inches to achieve required gallons}$$

$$\text{"D"} = \underline{\quad\quad\quad} \text{ inches}$$

Place **“WASH”**, **“RINSE”** or **“SANITIZE”** label at required depth.